

Foxboro® Model 8400A Magnetic Flowmeter wafer version



The 8400A magnetic flow sensor can be used with IMT30A, IMT31A and IMT33A magnetic flow converters.

- ▶ Lightweight and compact
- ▶ Excellent price performance ratio
- ▶ Quick and easy to install

1	Product features	3
1.1	Cost efficient and reliable flow sensor	3
1.2	Options	5
1.3	Measuring principle.....	6
2	Technical data	7
2.1	Technical data.....	7
2.2	Measuring accuracy	11
2.3	Dimensions and weights	12
3	Installation	15
3.1	Intended use	15
3.2	General notes on installation	15
3.2.1	Vibration	15
3.2.2	Magnetic field.....	15
3.3	Installation conditions	16
3.3.1	Inlet and outlet	16
3.3.2	Bends in 2 or 3 dimensions.....	16
3.3.3	T-section	17
3.3.4	Bends	17
3.3.5	Open feed or discharge.....	18
3.3.6	Flange deviation	18
3.3.7	Pump	18
3.3.8	Control valve	19
3.3.9	Air venting and vacuum forces	19
3.3.10	Mounting position.....	20
4	Electrical connections	21
4.1	Safety instructions.....	21
4.2	Grounding	21
4.3	Virtual reference for IMT33A (4, N and H version).....	23
5	Model code	24
6	Notes	26

1.1 Cost efficient and reliable flow sensor

The flangeless **8400A** electromagnetic flow sensor is compact and lightweight. The design is robust with the highly resistant, reinforced PFA liner and Hastelloy[®] electrodes. This offers an excellent chemical resistance.

The device is a cost-efficient and reliable solution for a wide range of applications. For industries varying from water and wastewater, agriculture, utilities and from fire-fighting to machine building.



Highlights

- Sandwich (wafer) design
- Lightweight and compact for easy handling and space saving installation
- Affordable price
- Excellent chemical resistance
- Bi-directional measurements
- No pressure loss
- Insensitive to vibrations
- No internal moving parts, no maintenance

Industries

- Machine building
- Energy, HVAC
- Water & wastewater
- Agriculture
- Process industries

Applications

- Mixing, batching and dosing systems, filtration systems, pump control
- Water flow monitoring
- Water circulation and treatment systems
- Fire-fighting systems, foam mixing, control of sprinkler systems
- Heat transfer and cooling systems
- Water including; raw water, process water, wastewater, salt water, heated and cooled water
- Mud, slurry, sludge, manure

1.2 Options



The **8400A** flow sensor is available in a diameter range from DN10 up to DN150 (3/8...6"). The compact flangeless flow sensor meets all applicable process connections: EN 1092, DIN, ANSI and JIS.



Signal converters

The **8400A** flow sensor is compatible with the IMT30A, IMT31A and IMT33A signal converter.

The flangeless flowmeter is suitable for compact (integral) and remote mounting.

1.3 Measuring principle

An electrically conductive fluid flows inside an electrically insulated pipe through a magnetic field. This magnetic field is generated by a current, flowing through a pair of field coils.

Inside of the fluid, a voltage U is generated:

$$U = v * k * B * D$$

in which:

v = mean flow velocity

k = factor correcting for geometry

B = magnetic field strength

D = inner diameter of flowmeter

The signal voltage U is picked off by electrodes and is proportional to the mean flow velocity v and thus the flow rate Q . A signal converter is used to amplify the signal voltage, filter it and convert it into signals for totalizing, recording and output processing.

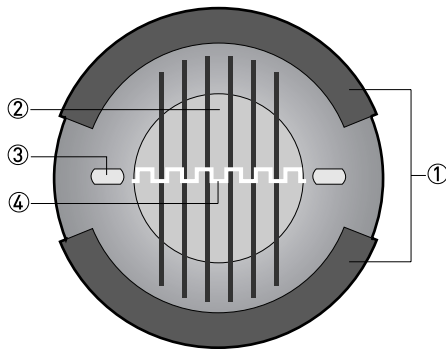


Figure 1-1: Measuring principle

- ① Field coils
- ② Magnetic field
- ③ Electrodes
- ④ Induced voltage (proportional to flow velocity)

2.1 Technical data

- *The following data is provided for general applications. If you require data that is more relevant to your specific application, please contact us or your local sales office.*
- *Additional information (certificates, special tools, software,...) and complete product documentation can be downloaded free of charge from the website.*

Measuring system

Measuring principle	Faraday's law of induction
Application range	Electrically conductive fluids
Measured value	
Primary measured value	Flow velocity
Secondary measured value	Volume flow

Design

Features	Wafer design
	PFA liner and Hastelloy® electrodes
	Light weight and compact
Modular construction	The measurement system consists of a flow sensor and a signal converter. It is available as compact and as separate version. Additional information can be found in the documentation of the signal converter.
Compact version	With signal converter IMT30A 4
	With signal converter IMT31A 4
	With signal converter IMT33A 4
Remote version	In wall (W) mount version with signal converter IMT30A N
	In wall (W) mount version with signal converter IMT31A N
	In field (F) or wall (W) mount version with signal converter IMT33A H or IMT33A N
Nominal diameter	DN10...150 / 3/8...6"

Measuring accuracy

Maximum measuring error	IMT30A: down to 0.5% of the measured value ± 1 mm/s
	IMT31A: down to 0.4% of the measured value ± 1 mm/s
	IMT33A: down to 0.3% of the measured value ± 2 mm/s
	The maximum measuring error depends on the installation conditions.
	For detailed information refer to <i>Measuring accuracy</i> on page 11.
Repeatability	$\pm 0.1\%$ of MV, minimum 1 mm/s
Calibration	2 point calibration by direct volume comparison

Operating conditions

Temperature	
Process temperature	-25...+120°C / -13...+248°F
Ambient temperature	-25...+65°C / -13...+149°F
Protect electronics against self-heating at ambient temperatures above +55°C / +131°F	
Storage temperature	-50...+70°C / -58...+158°F
Measuring range	-12...+12 m/s / -40...+40 ft/s
Pressure	
Ambient pressure	Atmospheric
Operating pressure	Up to 16 bar / 230 psi
Vacuum load	0 mbar / psi absolute
Pressure loss	Negligible
Pressure ranges for secondary containment	Pressure resistant up to 40 bar / 580 psi
	Burst pressure up to approx. 160 bar / 2320 psi
Chemical properties	
Physical condition	Electrically conductive liquids
Electrical conductivity	Standard: $\geq 5 \mu\text{S/cm}$
	Demineralised water: $\geq 20 \mu\text{S/cm}$
Permissible gas content (volume)	IMT30A: $\leq 3\%$
	IMT31A: $\leq 3\%$
	IMT33A: $\leq 5\%$
Permissible solid content (volume)	IMT30A: $\leq 10\%$
	IMT31A: $\leq 10\%$
	IMT33A: $\leq 70\%$

Installation conditions

Installation	Assure that the flow sensor is always fully filled.
	For detailed information refer to <i>Installation</i> on page 15.
Flow direction	Forward and reverse
	Arrow on flow sensor indicates positive flow direction.
Inlet run	$\geq 5 \text{ DN}$
Outlet run	$\geq 2 \text{ DN}$
Dimensions and weights	For detailed information refer to <i>Dimensions and weights</i> on page 12.

Materials

Flow sensor housing	DN10...40 / 3/8...1½": malleable iron (GTW-S-38-12)
	DN50...150 / 2...6": sheet steel
Measuring tube	Austenitic stainless steel
Liner	PFA
Protective coating	On exterior of the meter: housing, signal converter (compact version) and/or connection box (field version)
	Standard coating
Connection box	Only for remote versions
	Standard: die-cast aluminium
	Option: stainless steel
Measuring electrodes	Hastelloy® C
Grounding rings	Standard: for DN10...15 - 3/8...½": (integrated in flow sensor construction) Optional: for DN25...150 - 1...6"
	Stainless steel 316L (1.4404)
	Grounding rings can be omitted with virtual reference option for the signal converter IMT33A.
Mounting material	DN40...150 / 1½...6"
	Standard: rubber centering sleeves
	Option: galvanised steel or stainless steel stud bolts and nuts

Process connections

Counter flanges	
EN 1092-1	DN10...80: PN16 or PN40 DN100...150: PN16 (standard), PN40 on request
ASME	3/8...6": 150 lb / RF 3/8...4": 300 lb / RF
JIS	DN10...100: JIS 20K [≤ 16 bar] / DN150: JIS 10K [≤ 10 bar]

Electrical connections

	For full detail refer to the relevant documentation of the signal converter.
Signal cable (for remote systems only)	
Type A (DS)	In combination with the signal converter IMT30A, IMT31A and IMT33A
	Standard cable, double shielded. Max. length: 600 m / 1968 ft (depends on electrical conductivity and flow sensor).
Type B (BTS)	Only in combination with the signal converter IMT33A
	Optional cable, triple shielded. Max. length: 600 m / 1968 ft (depends on electrical conductivity and flow sensor).
I/O	For full details of I/O options, including data streams and protocols, see technical datasheet of the relevant signal converter.

Approvals and certifications

CE	
This device fulfils the statutory requirements of the EC directives. The manufacturer certifies successful testing of the product by applying the CE mark.	
	For full information of the EU directive & standards and the approved certifications; please refer to the CE declaration or the website of the manufacturer.
Hazardous areas	
FM	In combination with signal converter IMT33A 4 or H
	Class I, Div. 2, Groups A, B, C and D
	Class II, Div. 2, Groups F and G
	Class III, Div. 2
CSA	In combination with signal converter IMT33A 4 or H
	Class I, Div. 2, Groups A, B, C and D
	Class II, Div. 2, Groups F and G
cCSAus OL	Valid for signal converter IMT31A 4/N and IMT33A 4/N/H
Other approvals and standards	
Custody transfer	Only in combination with signal converter IMT33A
	Cold water
	MID Annex MI-001 type examination certificate
	Liquids other than water
	MID Annex MI-005 type examination certificate
Protection category acc. to IEC 60529 / EN 60529	Standard: IP66/67 (NEMA 4/4X/6)
	IP 67/69 with IMT31A (Stainless steel) converter
Shock test	IEC 68-2-27
	30 g for 18 ms
Vibration test	IEC 60068-2-24
	f = 20-2000 Hz, rms = 4.5 g, t = 30 min

2.2 Measuring accuracy

Every electromagnetic flowmeter is calibrated by direct volume comparison. The wet calibration validates the performance of the flowmeter under reference conditions against accuracy limits.

The accuracy limits of electromagnetic flowmeters are typically the result of the combined effect of linearity, zero point stability and calibration uncertainty.

Reference conditions

- Medium: water
- Temperature: +5...35°C / +41...95°F
- Operating pressure: 0.1...5 barg / 1.5...72.5 psig
- Inlet section: ≥ 5 DN
- Outlet section: ≥ 2 DN

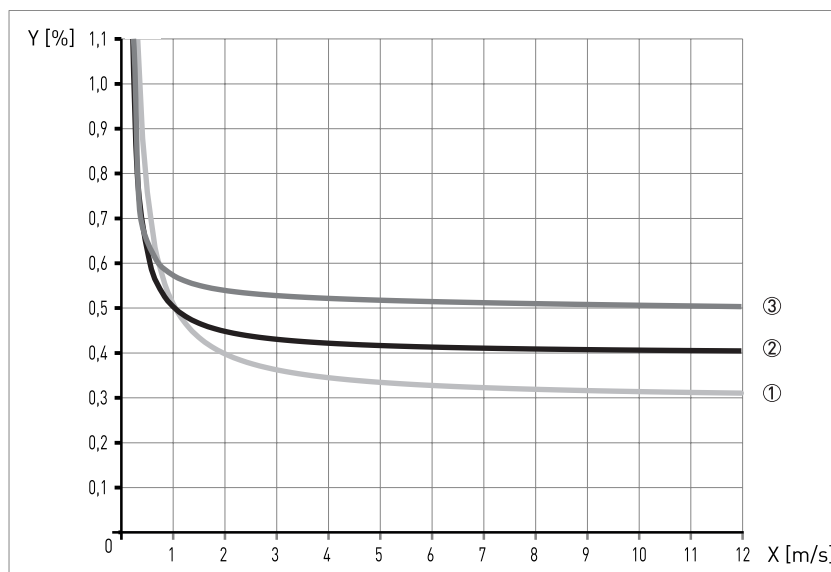


Figure 2-1: Flow velocity vs. accuracy

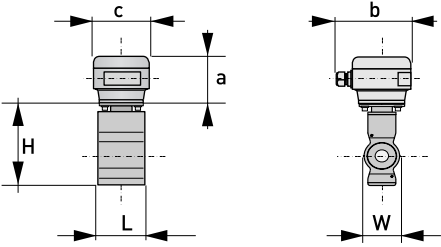
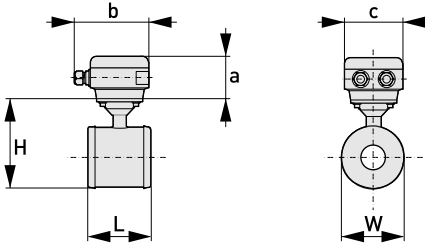
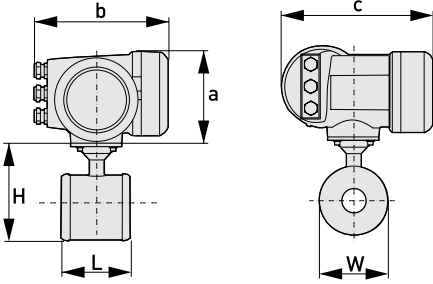
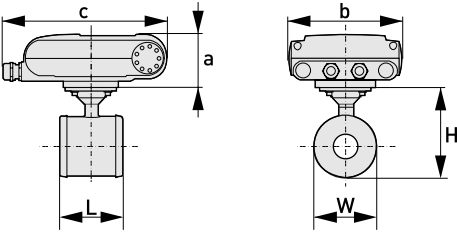
X [m/s]: flow velocity

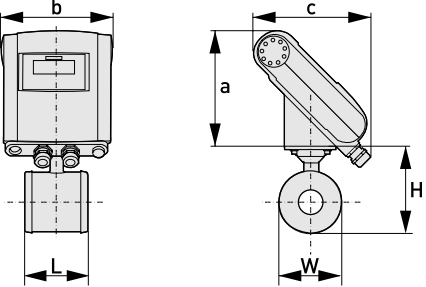
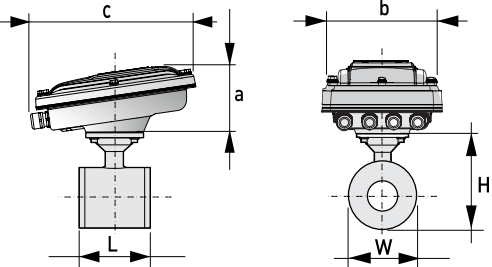
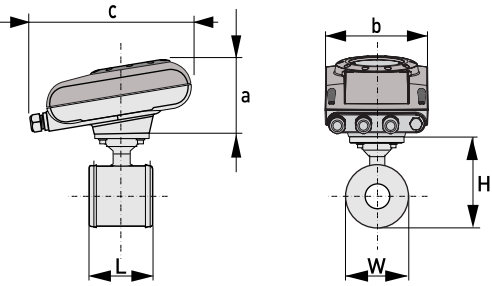
Y [%]: deviation from the actual measured value (mv)

Accuracy

Flow sensor diameter	Signal converter type	Accuracy	Curve
DN10...150 / 3/8...6"	IMT30A	0.5% of mv + 1 mm/s	③
DN10...150 / 3/8...6"	IMT31A	0.4% of mv + 1 mm/s	②
DN10...150 / 3/8...6"	IMT33A	0.3% of mv + 2 mm/s	①

2.3 Dimensions and weights

<p>Remote version: DN10...40 / 3/8...1½"</p>		<p>a = 88 mm / 3.5"</p> <p>b = 139 mm / 5.5" ①</p> <p>c = 106 mm / 4.2"</p> <p>Total height = H + a</p>
<p>Remote version: DN50...150" / 2...6"</p>		<p>a = 88 mm / 3.5"</p> <p>b = 139 mm / 5.5" ①</p> <p>c = 106 mm / 4.2"</p> <p>Total height = H + a</p>
<p>Compact version with IMT33A</p>		<p>a = 155 mm / 6.1"</p> <p>b = 230 mm / 9.1" ①</p> <p>c = 260 mm / 10.2"</p> <p>Total height = H + a</p>
<p>Compact version with IMT31A (0°)</p>		<p>a = 82 mm / 3.2"</p> <p>b = 161 mm / 6.3"</p> <p>c = 257 mm / 10.1" ①</p> <p>Total height = H + a</p>

Compact version with IMT31A (45°)		<p>a = 186 mm / 7.3"</p> <p>b = 161 mm / 6.3"</p> <p>c = 184 mm / 2.7" ①</p> <p>Total height = H + a</p>
Compact stainless steel version with IMT31A (10°)		<p>a = 100 mm / 4"</p> <p>b = 187 mm / 7.36" ①</p> <p>c = 270 mm / 10.63"</p> <p>Total height = H + a</p>
Compact version with IMT30A		<p>a = 101 mm / 3.98"</p> <p>b = 157 mm / 6.18"</p> <p>c = 260 mm / 10.24" ①</p> <p>Total height = H + a</p>

① The value may vary depending on the used cable glands.

- All data given in the following tables are based on standard versions of the flow sensor only.
- Especially for smaller nominal sizes of the flow sensor, the signal converter can be bigger than the flow sensor.
- Note that for other pressure ratings than mentioned, the dimensions may be different.
- For full information on signal converter dimensions see relevant documentation.

EN 1092-1

Nominal size DN	Dimensions [mm]			Approx. weight [kg]
	L	H	W	
10	68	137	47	1.7
15	68	137	47	1.7
25	54	147	66	1.7
40	78	162	82	2.6
50	100	151	101	4.2
80	150	180	130	5.7
100	200	207	156	10.5
150	200	271	219	15.0

ASME B16.5

Nominal size ASME	Dimensions [inch]			Approx. weight [lb]
	L	H	W	
3/8"	2.68	5.39	1.85	3.7
1/2"	2.68	5.39	1.85	3.7
1"	2.13	5.79	2.6	3.7
1 1/2"	3.07	6.38	3.23	5.7
2"	3.94	5.94	3.98	9.3
3"	5.91	7.08	5.12	12.6
4"	7.87	8.15	6.14	23.1
6"	7.87	10.67	8.62	33.1

3.1 Intended use

Responsibility for the use of the measuring devices with regard to suitability, intended use and corrosion resistance of the used materials against the measured fluid lies solely with the operator.

The manufacturer is not liable for any damage resulting from improper use or use for other than the intended purpose.

This electromagnetic flowmeter is designed exclusively to measure the flow of electrically conductive, liquid media.

3.2 General notes on installation

Inspect the packaging carefully for damages or signs of rough handling. Report damage to the carrier and to the local office of the manufacturer.

Do a check of the packing list to make sure that you have all the elements given in the order.

Look at the device nameplate to ensure that the device is delivered according to your order. Check for the correct supply voltage printed on the nameplate.

3.2.1 Vibration

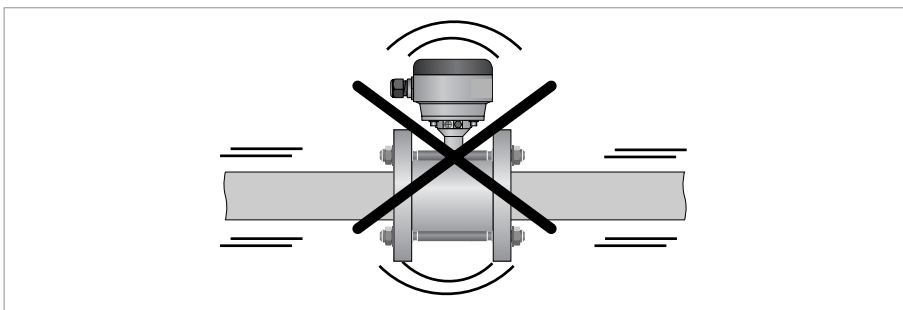


Figure 3-1: Avoid vibrations

3.2.2 Magnetic field

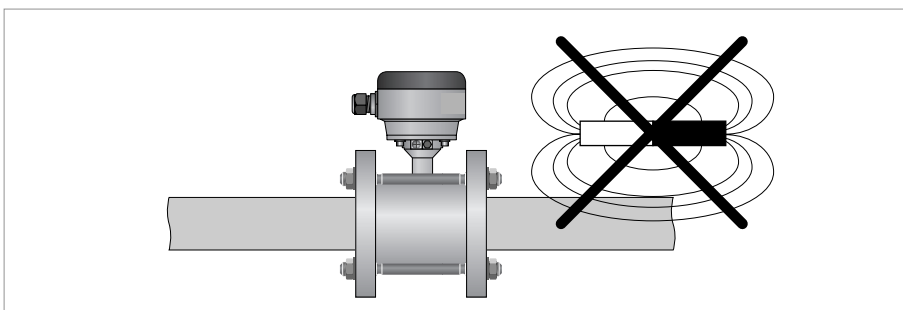


Figure 3-2: Avoid magnetic fields

3.3 Installation conditions

3.3.1 Inlet and outlet

Use straight inlet and outlet pipe sections to prevent flow distortion or swirl, caused by bends and T- sections

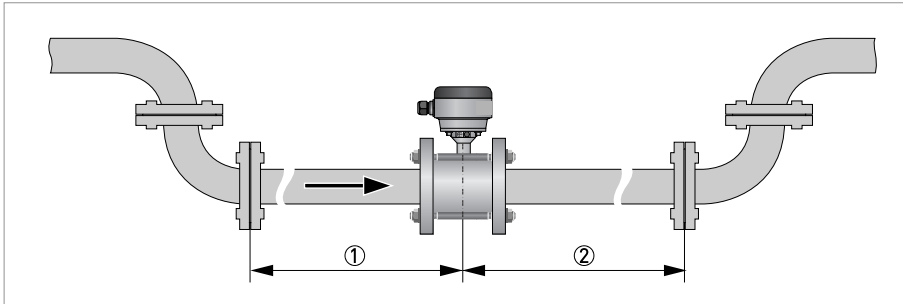


Figure 3-3: Recommended inlet and outlet section

- ① Refer to chapter "Bends in 2 or 3 dimensions"
- ② ≥ 2 DN

3.3.2 Bends in 2 or 3 dimensions

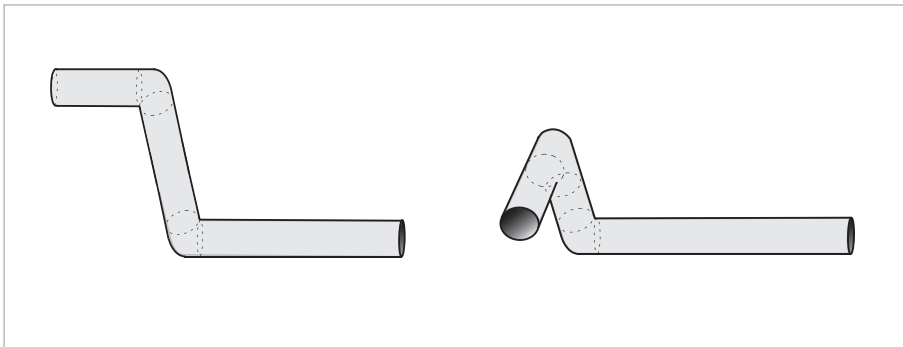


Figure 3-4: Inlet when using 2 and/or 3 dimensional bends upstream of the flowmeter

Inlet length: using bends in 2 dimensions: ≥ 5 DN; when having bends in 3 dimensions: ≥ 10 DN

*2 Dimensional bends occur in a vertical plane only, while 3 Dimensional bends occur in both vertical **and** horizontal plane.*

3.3.3 T-section

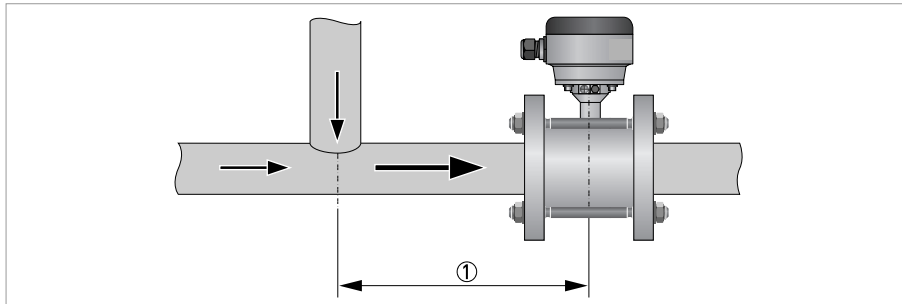


Figure 3-5: Distance behind a T-section

① ≥ 10 DN

3.3.4 Bends

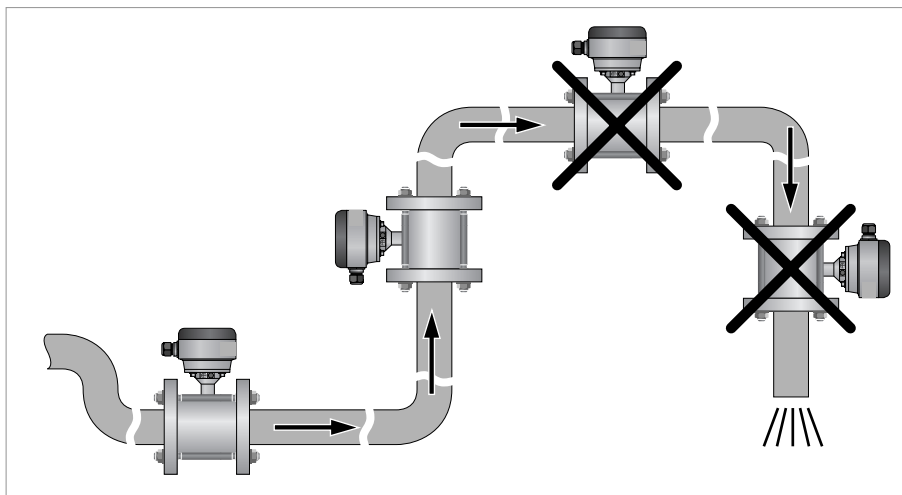


Figure 3-6: Installation in bending pipes

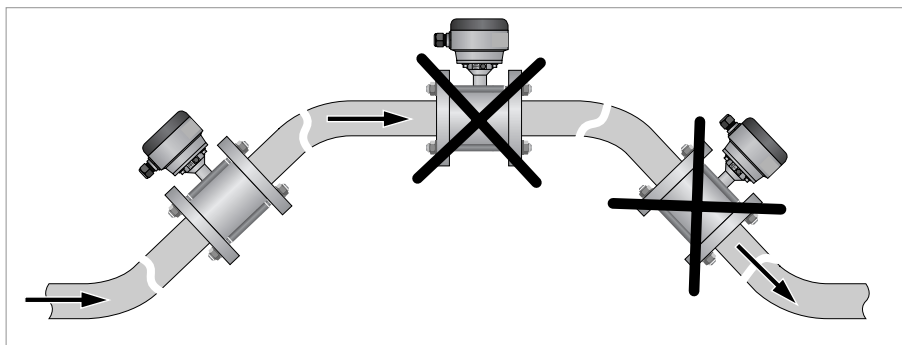


Figure 3-7: Installation in bending pipes

Avoid draining or partial filling of the flow sensor

3.3.5 Open feed or discharge

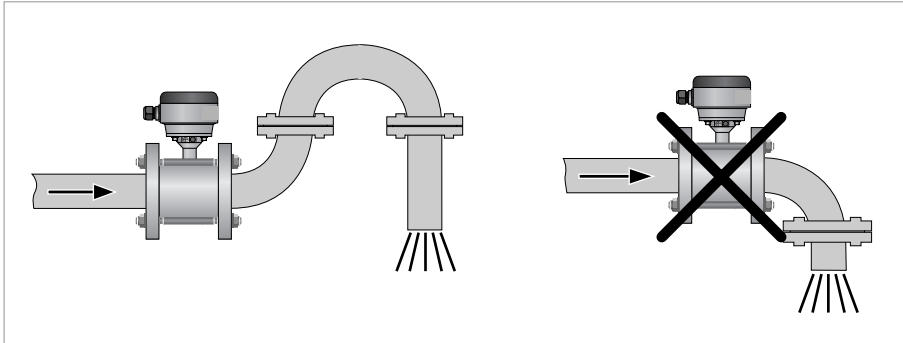


Figure 3-8: Installation in front of an open discharge

3.3.6 Flange deviation

Max. permissible deviation of pipe flange faces:
 $L_{max} - L_{min} \leq 0.5 \text{ mm} / 0.02''$

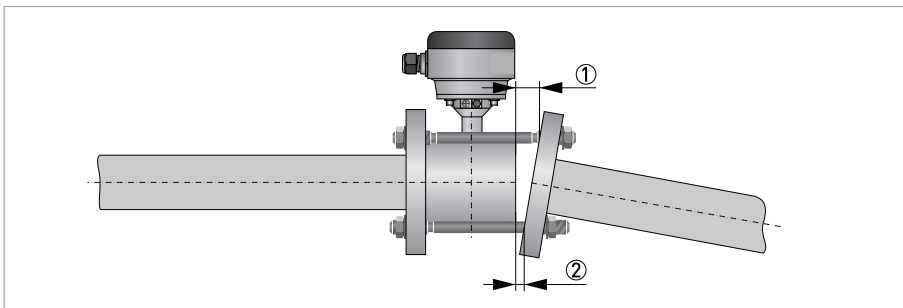


Figure 3-9: Flange deviation

- ① L_{max}
- ② L_{min}

3.3.7 Pump

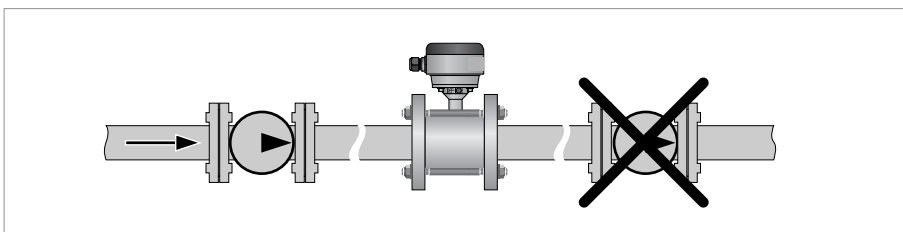


Figure 3-10: Installation behind a pump

3.3.8 Control valve

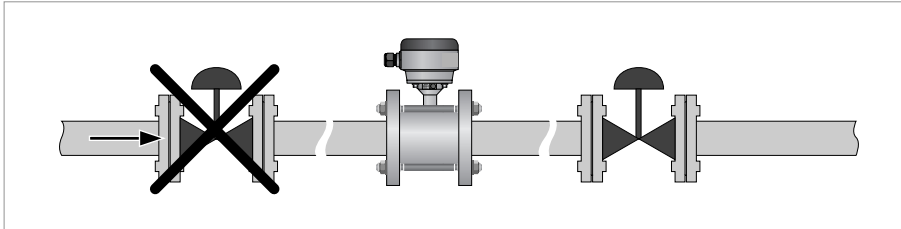


Figure 3-11: Installation in front of a control valve

3.3.9 Air venting and vacuum forces

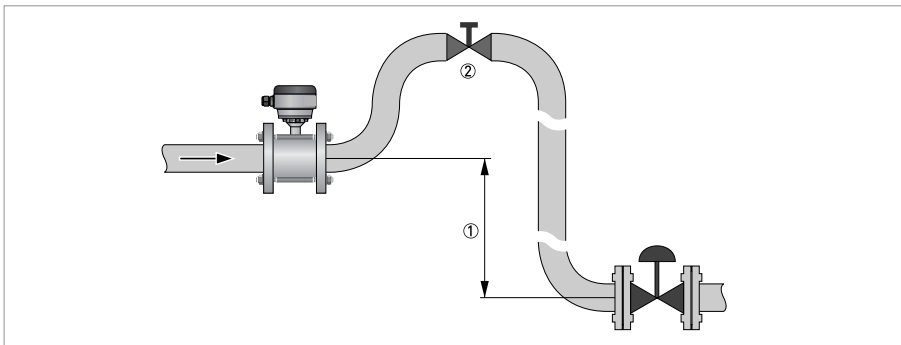


Figure 3-12: Air venting

- ① ≥ 5 m / 17 ft
- ② Air ventilation point

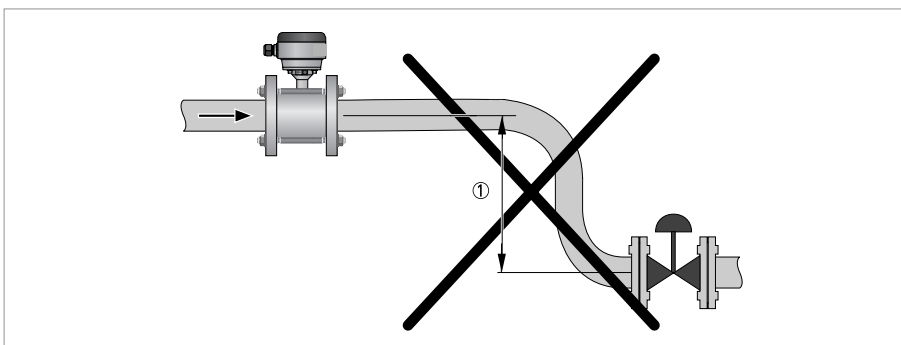


Figure 3-13: Vacuum

- ① ≥ 5 m / 17 ft

3.3.10 Mounting position

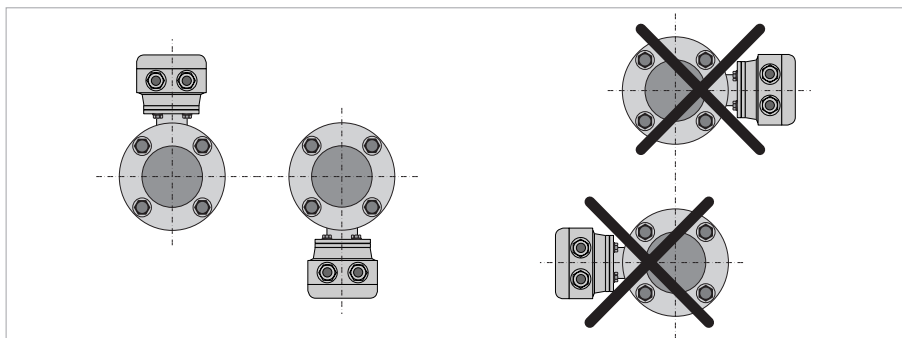


Figure 3-14: Mounting position

4.1 Safety instructions

*All work on the electrical connections may only be carried out with the power disconnected.
Take note of the voltage data on the nameplate!*

Observe the national regulations for electrical installations!

For devices used in hazardous areas, additional safety notes apply; please refer to the Ex documentation.

Observe without fail the local occupational health and safety regulations. Any work done on the electrical components of the measuring device may only be carried out by properly trained specialists.

*Look at the device nameplate to ensure that the device is delivered according to your order.
Check for the correct supply voltage printed on the nameplate.*

4.2 Grounding

The device must be grounded in accordance with regulations in order to protect personnel against electric shocks.

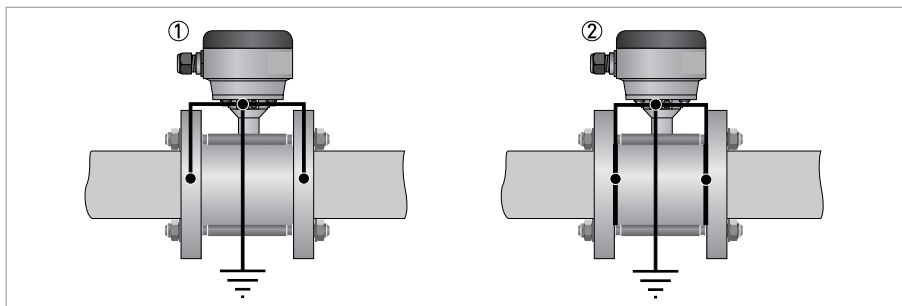


Figure 4-1: Grounding

- ① Metal pipelines, not internally coated. Grounding without grounding rings!
- ② Metal pipelines with internal coating and non-conductive pipelines. Grounding with grounding rings!

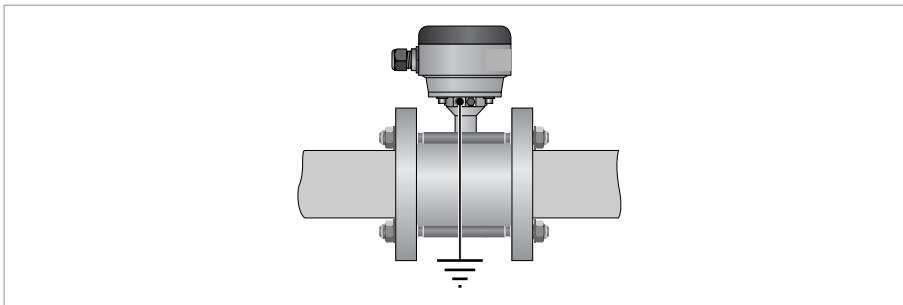


Figure 4-2: Build-in grounding rings for DN10-15 / 3/8 - 1/2 "

For diameter DN10 / 3/8" and DN15 / 1/2", grounding rings are integrated as standard in the flow sensor construction.

Grounding rings



Figure 4-3: Grounding ring number 1

Grounding ring number 1 (optional for DN25...150 / 1...6"): Thickness: 3 mm / 0.1"

4.3 Virtual reference for IMT33A (4, N and H version)

The virtual reference option on the flow converter provides complete isolation of the measurement circuit.

Benefits of virtual reference:

- Grounding rings or grounding electrodes can be omitted.
- Safety increases by reducing the number of potential leakage points.
- The installation of the flowmeters is much easier.

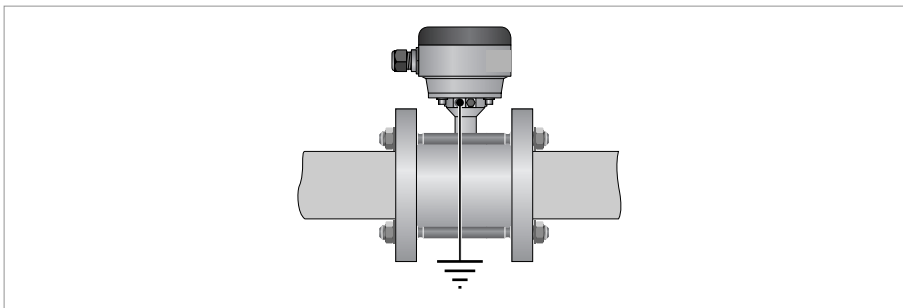


Figure 4-4: Virtual reference

Minimum requirements:

- Size: \geq DN10 / 3/8"
- Electrical conductivity: \geq 200 μ S/cm
- Electrode cable: max. 50 m / 164 ft, type DS

Model	Description, check www.BuyAutomation.com for availability
	Foxboro® Model 8400A Magnetic Flow Sensor
843EA 84HAA 8401A 841HA 8402A 8403A 8404A 8406A	Nominal diameter and liner DN10, 3/8" - PFA DN 15...½" - PFA DN 25...1" - PFA DN 40...1½" - PFA DN 50...2" - PFA DN 80...3" - PFA DN 100...4" - PFA DN 150...6" - PFA
3 5 A B M N	Nominal pressure (centering for) PN 16 EN 1092-1 (DN 100...150) max. working pressure 16 bar PN 40 EN 1092-1 (DN 100) derated/max. working pressure 16 bar 150 lbs RF ASME B 16.5 (3/8"...6") max. working pressure 232 psi 300 lbs RF ASME B 16.5 (3/8"...4") derated/max. working pressure 232 psi JIS 20 K (DN 10...100 3/8" ...4") derated/max. working pressure 16 bar JIS 10 K (DN50 6") max. working pressure 10 bar
0 3 5 A C	Approval Non Ex Ex Zone 2 (for IMT33A Compact and Field only) FM Class I DIV 2 (for IMT33A Compact and Field only) cCSAus OL (IMT33A compact and field & IMT31A Compact and Wall only) CSA Class I DIV 2 (for IMT33A Compact and Field)
1 4 5 6 A B C	System design - Cable connection Compact (=Integral) with Aluminum Converter Housing - At the transmitter Separate with Aluminum Connection box / ½" NPT Separate with Aluminum Connection box / PF ½ Separate with Aluminum Connection box / M20 x 1.5 Separate with Stainless Steel Connection box / ½" NPT Separate with Stainless Steel Connection box / PF ½ Separate with Stainless Steel Connection box / M20 x 1.5
0 3 4 C D K L	Converter model Without IMT31A (Compact /Integral Design) IMT31A (Wall Mount Version) IMT33A (Compact /Integral Design) IMT33A (Field Mount Version) IMT30A (Compact /Integral Design) IMT33A (Wall Mount Version)
1 2 3*	Mounting Material Steel, galvanized / Rubber sleeves Stainless Steel A2 / Rubber sleeves Rubber sleeves
3* G	Grounding ring material St. steel DIN 1.4404 316L (DN 10...15 3/8" ...½"), without (DN 25...150 1"...6") St. steel DIN 1.4404 316L (DN 25...150 1"...6")
B	Electrodes Standard, Hastelloy C22
0	Protection class / dimension (face-to-face) IP 66 67 & Standard dimension
0* 1 Y	Cable Compact (none) - Seperate (remote) DS Separate BTS Without

Model	Description, check www.BuyAutomation.com for availability
0 1 2 3 4 5 6 7 8 Y	Cable length Compact - None - Separate - 5 m - 15 ft 10 m - 30 ft 15 m - 45 ft 20 m - 60 ft 25 m - 75 ft 30 m - 90 ft 40 m - 120 ft 50 m - 150 ft 100 m - 300 ft Without
0 2 3 A C D	Calibration Standard calibration Standard calibration + 316/1.4401 tag plate (120 x 46 mm) Standard calibration + 316/1.4401 tag plate (67 x 25 mm) Custody transfer, [check BuyAutomation for availability] CT + 316 / 1.4401 tagplate (120 x 46 mm) CT + 316 / 1.4401 Tagplate (67 x 25 mm)
0	Special Standard
H	Version Standard
0	Construction requirements Standard
0	QA / QC requirements Standard
0	Ratio of CT-calibration Standard, R=80
0	Warranty Standard
0	Instruction language Standard





ORDERING INSTRUCTIONS

1. Model Number.
2. Flow Data:
 - a. Maximum, minimum, and normal flow rate.
 - b. Fluid composition and viscosity at operating temperatures.
 - c. Fluid density or relative density (specific gravity).
 - d. Maximum, minimum and normal operating temperatures.
 - e. Maximum, minimum and normal operating pressures.
 - f. Mating pipe schedule.
 - g. Type and location (distance) of upstream disturbance.
3. Calibration Information (analog output only); maximum flow rate 20 mA output.
4. Electric Classification.
5. Optional Selections and Accessories.
6. Customer Tag Data.

FLOWEXPERTPRO SIZING APPLICATION

Mobile application FlowExpertPro.com



OTHER FOXBORO PRODUCTS

The Foxboro product lines offer a broad range of measurement and instrument products, including solutions for pressure, flow, analytical, temperature, positioning, controlling and recording.

For a list of these offerings, visit our website at:
www.schneider-electric.com

Schneider Electric Systems USA, Inc.
38 Neponset Avenue
Foxboro, MA 02035
United States of America
<http://www.schneider-electric.com>

Global Customer Support
Inside U.S.: 1-866-746-6477
Outside U.S.: 1-508-549-2424
<https://pasupport.schneider-electric.com>

Copyright 2016-2017 Schneider Electric Systems USA, Inc. All rights reserved.

Foxboro and FlowExpertPro are trademarks of Schneider Electric Systems USA, Inc., its subsidiaries, and affiliates. All other trademarks are the property of their respective owners.

Life Is On

Foxboro[®]
by **Schneider** Electric